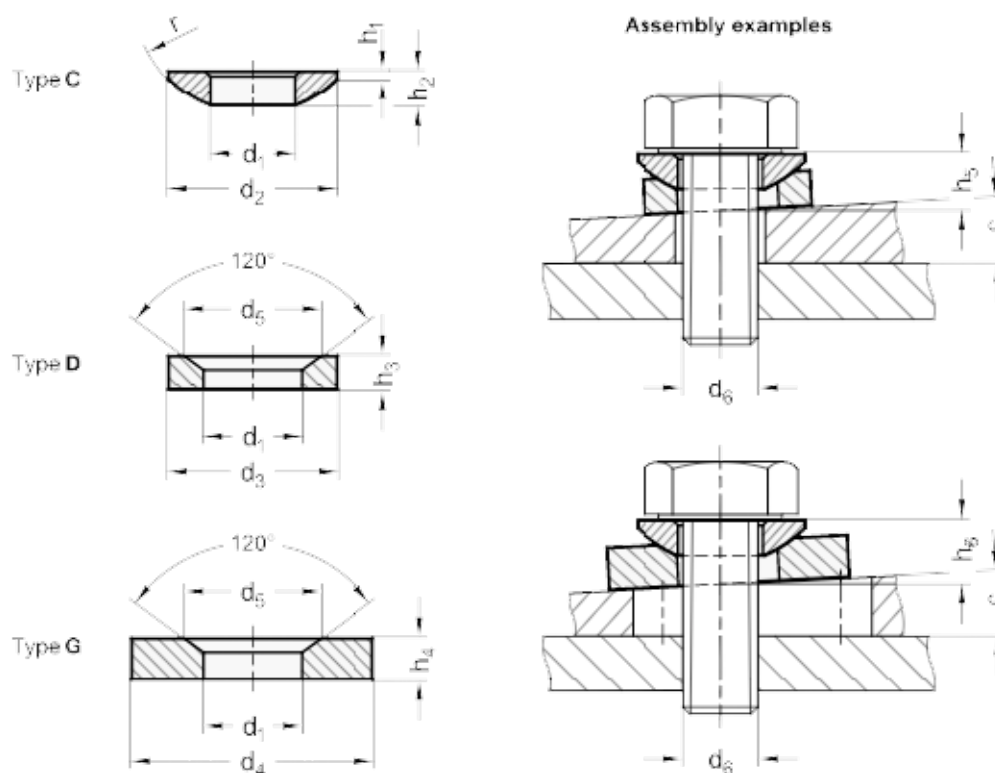


Article number: 20807014

Description: E+G Spherical washer, female
DIN 6319-14,2-G

Measures



$d_2 = 14.2$

$d_4 = 36$

$d_5 = 20.0$

$d_6 = M12$

$H_3 = 6.0$

$H_4 = 8.0$